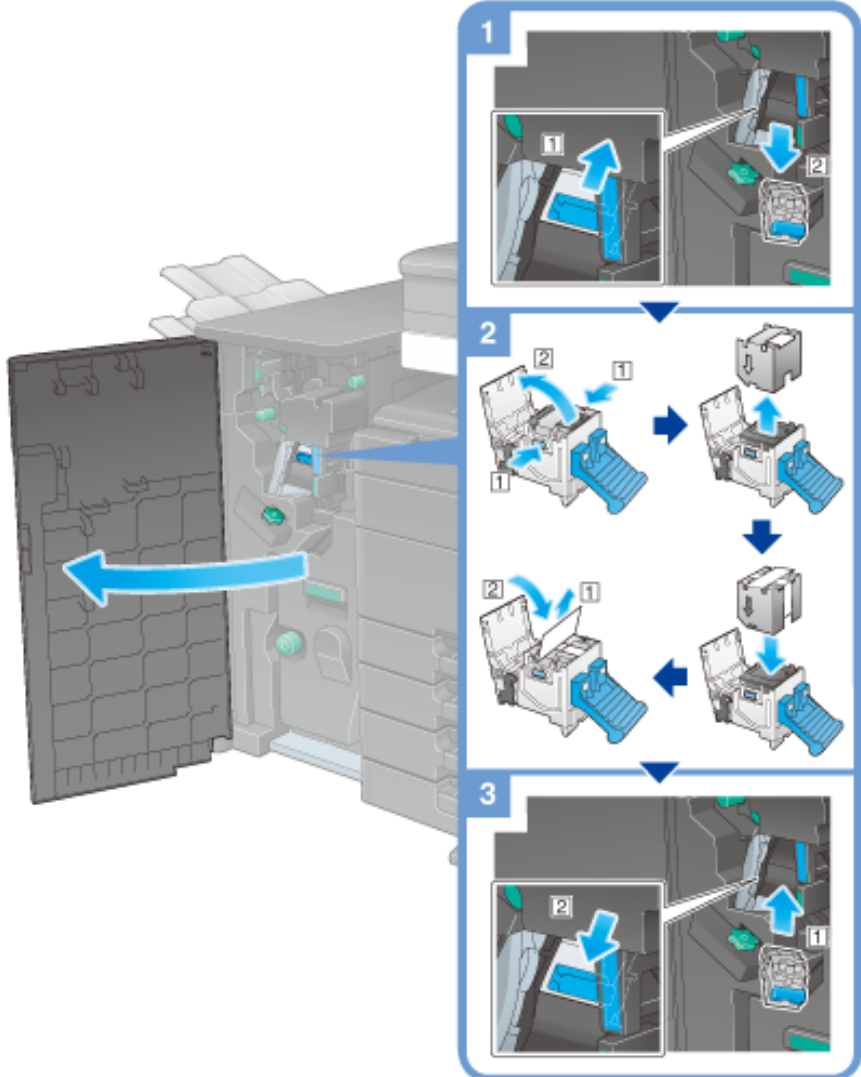


Replacing a Staple Cartridge

Finisher FS-537/Finisher FS-537 SD





Tips

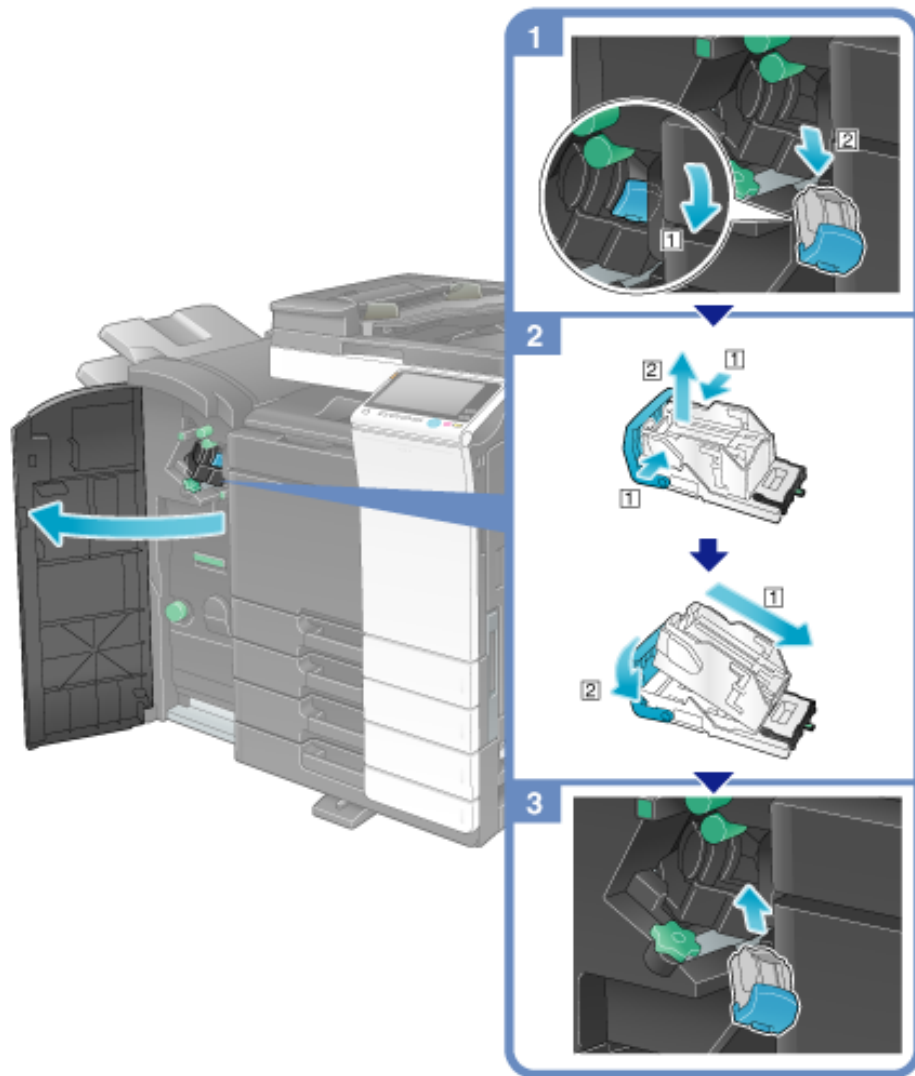
- ❖ The figure shows the **Finisher FS-537 SD** equipped with **Punch Kit PK-523**, **Z Folding Unit ZU-609**, and **Relay Unit RU-513**.
- ❖ Do not remove staples that remain in the machine. Otherwise, the stapling function will activate but no sheets will be stapled.



NOTICE

- ❖ Be sure to replace the **Staple Cartridge** after the relevant message has appeared. If a **Staple Cartridge** is removed before the relevant message appears, it may result in a failure.

Finisher FS-536/Finisher FS-536 SD/Finisher FS-534/Finisher FS-534 SD





Tips

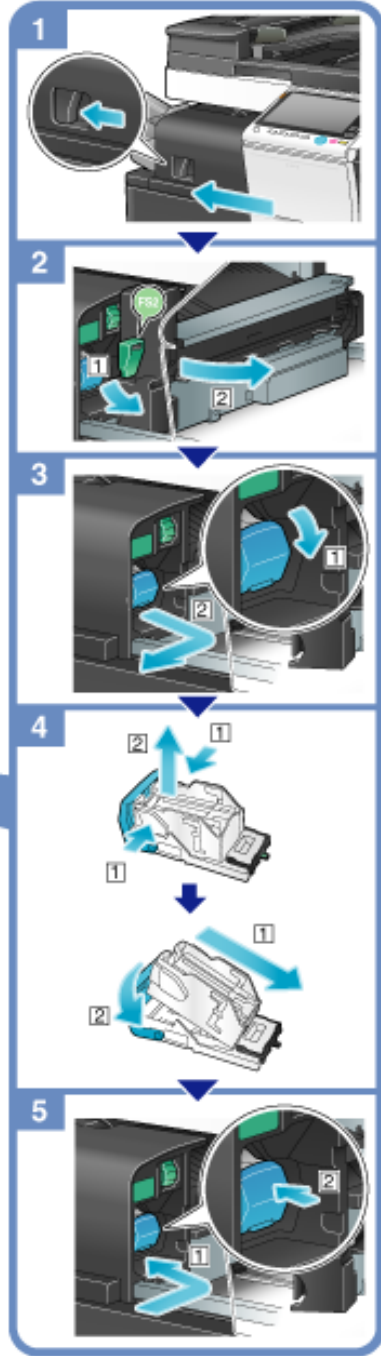
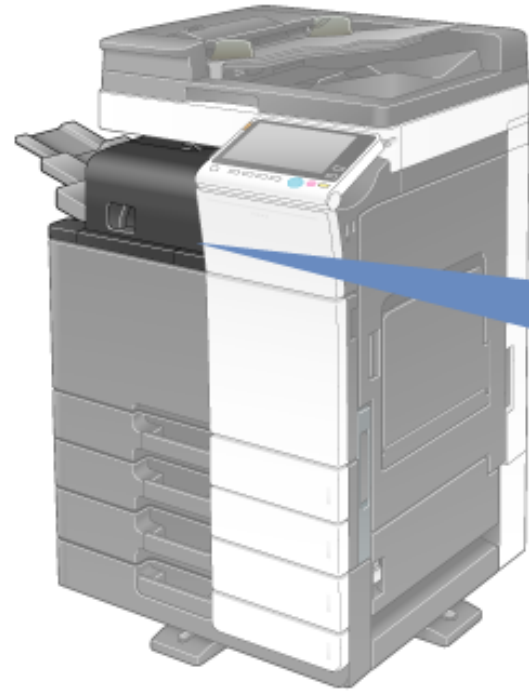
- ❖ The figure shows the **Finisher FS-534 SD** equipped with **Punch Kit PK-520** and **Relay Unit RU-513**.
- ❖ Do not remove staples that remain in the machine. Otherwise, the stapling function will activate but no sheets will be stapled.



NOTICE

- ❖ Be sure to replace the **Staple Cartridge** after the relevant message has appeared. If a **Staple Cartridge** is removed before the relevant message appears, it may result in a failure.

Finisher FS-533





Tips

- ❖ The figure above shows the **Finisher FS-533** that is equipped with **Punch Kit PK-519**.
- ❖ Do not remove staples that remain in the machine. Otherwise, the stapling function will activate but no sheets will be stapled.

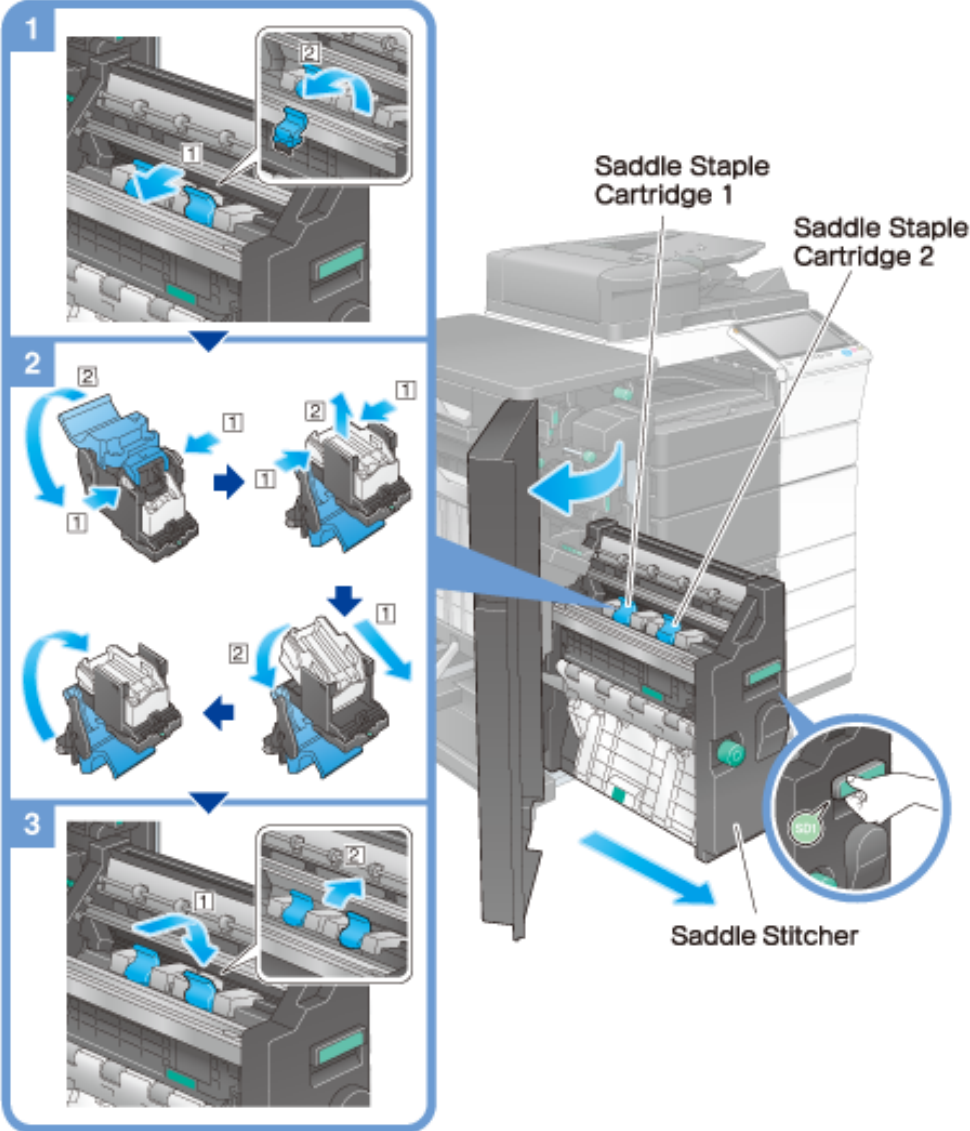


NOTICE

- ❖ Be sure to replace the **Staple Cartridge** after the relevant message has appeared. If a **Staple Cartridge** is removed before the relevant message appears, it may result in a failure.

Replacing a Saddle Staple Cartridge

Finisher FS-537 SD





Tips

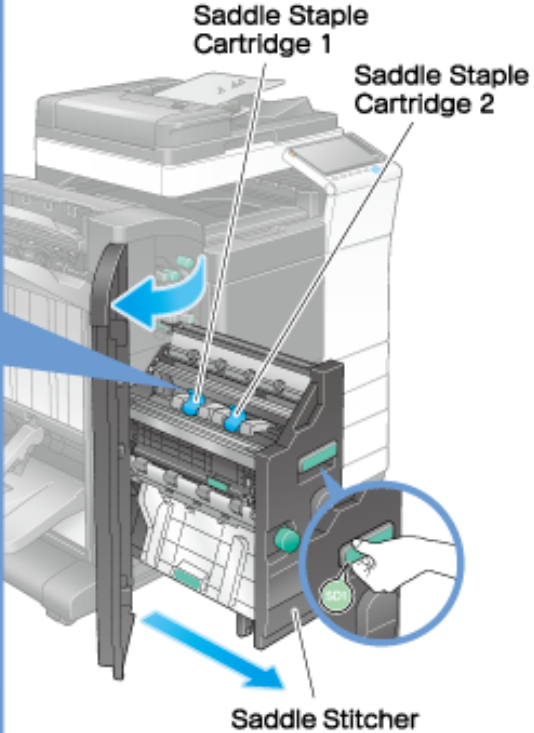
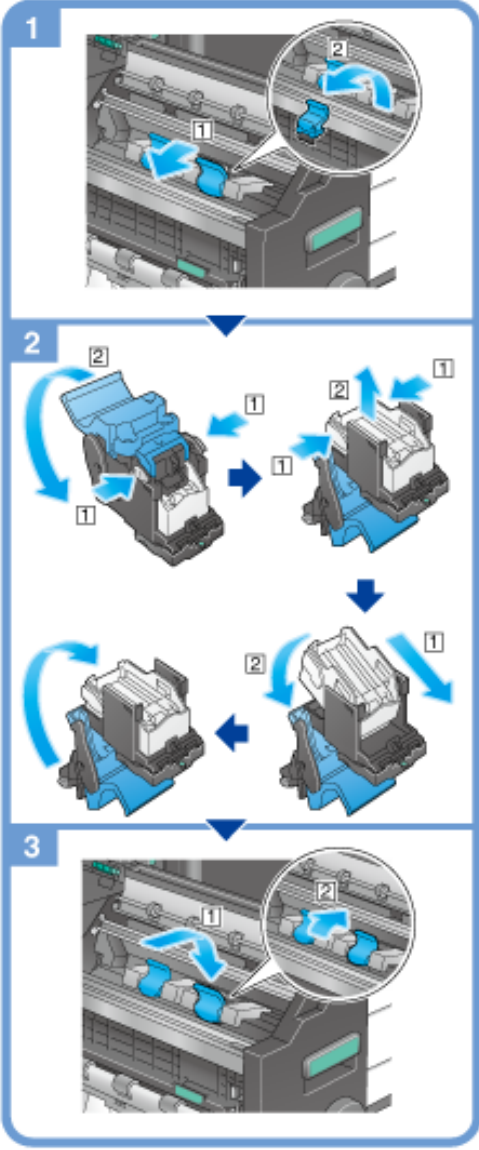
- ❖ The figure shows the **Finisher FS-537 SD** equipped with **Punch Kit PK-523**, **Z Folding Unit ZU-609**, and **Relay Unit RU-513**.
- ❖ Do not remove staples that remain in the machine. Otherwise, the stapling function will activate but no sheets will be stapled.



NOTICE

- ❖ When moving the **Saddle Stitcher**, be sure to only hold the handle. Otherwise, your hand or finger may get caught in the machine.
- ❖ Be sure to replace the **Saddle Staple Cartridge** after the relevant message has appeared. If a **Saddle Staple Cartridge** is removed before the relevant message appears, it may result in a failure.

Finisher FS-536 SD/Finisher FS-534 SD





Tips

- ❖ The figure shows the **Finisher FS-534 SD** equipped with **Punch Kit PK-520** and **Relay Unit RU-513**.
- ❖ Do not remove staples that remain in the machine. Otherwise, the stapling function will activate but no sheets will be stapled.



NOTICE

- ❖ When moving the **Saddle Stitcher**, be sure to only hold the handle. Otherwise, your hand or finger may get caught in the machine.
- ❖ Be sure to replace the **Saddle Staple Cartridge** after the relevant message has appeared. If a **Saddle Staple Cartridge** is removed before the relevant message appears, it may result in a failure.