

Overview

The printer driver is software that specifies how to use the printing functions of this machine from other application software. When you install the printer driver on your computer, you can use a variety of this machine's printing functions. Furthermore, the printer driver supports a wide range of connection methods and provides flexibility in various environments.

It also supports direct printing, a printing method that does not use the printer driver, and printing from a USB memory device.



System Environment Requirements

For Windows

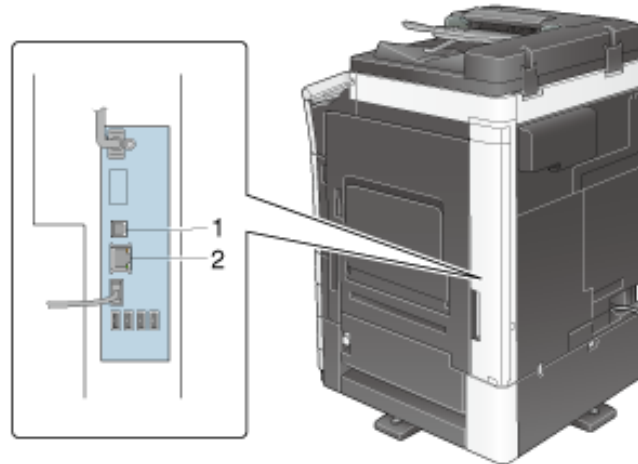
Item	Specifications
Operating system	For details, refer to Here .
CPU	Any processor of the same or higher specifications as recommended for your operating system
Memory	Memory capacity as recommended for your operating system Sufficient available memory space is required for your operating system and the applications to be used.
Drive	DVD drive

For Macintosh

Item	Specifications
Operating system	Mac OS (10.8, 10.9, 10.10, 10.11, 10.12)
CPU	Intel Processor
Memory	Memory capacity as recommended for your operating system
Drive	DVD drive

Cable Connection Locations on This Machine

The printer cables are connected to each port on this machine.



No.	Port	Description
1	USB port	Connect a USB cable when using this machine as a USB-connected device. Use a type-A (4-pin, male) to type-B (4-pin, male) USB cable. A USB cable measuring three meters or less is recommended.
2	Ethernet port (1000Base-T/100Base-TX/10Base-T)	Connect a LAN cable when using this machine in a network environment. This machine supports the 1000Base-T, 100Base-TX and 10Base-T protocols. The TCP/IP (LPD/LPR, IPP and SMB) protocols and Web services are supported.