

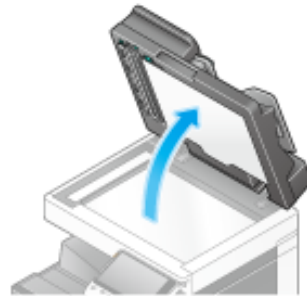
## Cleaning This Machine

---

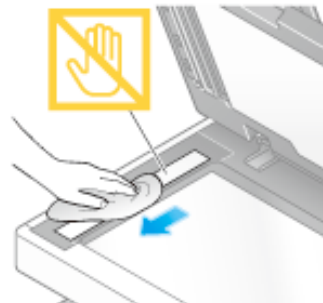
### Cleaning the Slit Scan Glass

- ✓ In **bizhub C368/C308/C258**, perform this procedure when the **Reverse Automatic Document Feeder DF-629** or **Dual Scan Document Feeder DF-704** is installed on the machine.

#### 1. Open the ADF.



#### 2. Wipe stains off the Slit Scan Glass using a dry and clean cloth.





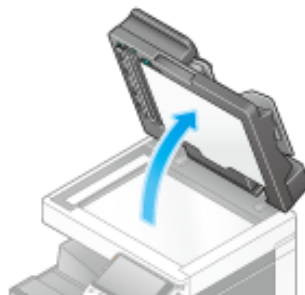
## NOTICE

⚠ Do not touch the **Slit Scan Glass**.

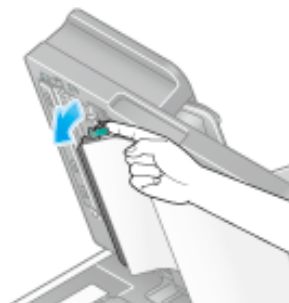
### Cleaning the Slit Scan Glass (back)

✓ In **bizhub C368/C308/C258**, perform this procedure when the **Dual Scan Document Feeder DF-704** is installed on the machine.

1. Open the **ADF**.



2. Open the **Opening and Closing Guide**.



➔ Release the lock lever of the **Opening and Closing Guide**, and open the **Opening and Closing Guide**.

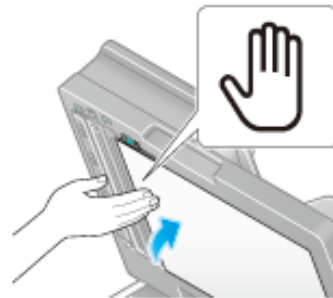
3. Wipe stains off the **Slit Scan Glass (back)** using a dry and clean cloth.



#### NOTICE

❖ Do not touch the **Slit Scan Glass (back)**.

4. Close the **Opening and Closing Guide** opened in Step 2.



➔ Press the Hand mark in the center of the **Opening and Closing Guide**, and check that the **Opening and Closing Guide** is locked securely.

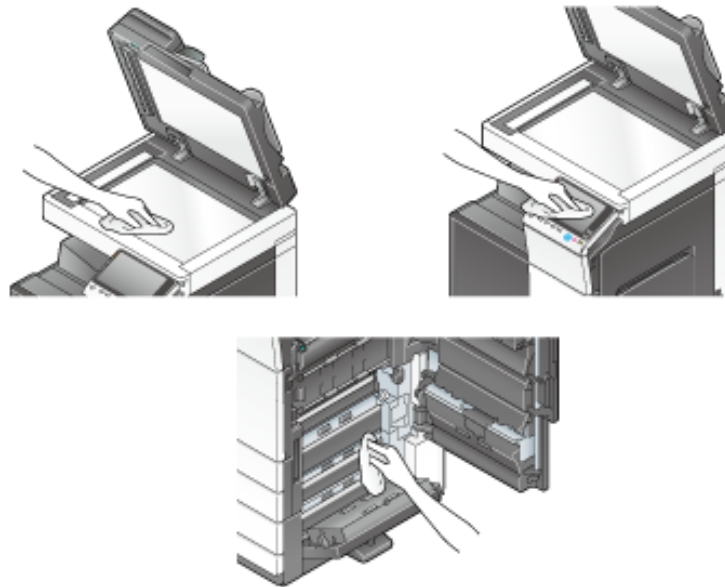
## Cleaning the Original Glass, Control Panel, Roller, and Output Belt

Wipe the surface using a soft, dry cloth.



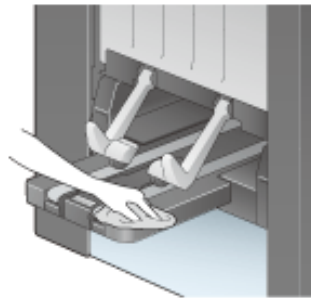
### NOTICE

❖ Do not press the **Control Panel** hard, otherwise the keys and **Touch Panel** may be damaged.



### Tips

❖ When cleaning the **Output Belt** make sure that the **Finisher FS-537 SD** is installed on this machine.



## CAUTION

- ❖ The inside of this product has areas subject to high temperature, which may cause burns. When checking the inside of the unit for malfunctions such as a paper misfeed, do not touch the locations (around the fusing unit, etc.) which are indicated by a "Caution HOT" caution label. A burn could result.

### Cleaning the outer covers and Original Pad

Wipe the surface using a soft cloth moistened with a mild household detergent.



## NOTICE

- ❖ Never use solvents, such as benzene or thinner, to clean the **Original Pad**.

